

# R5 HOSPITALITY SEATING

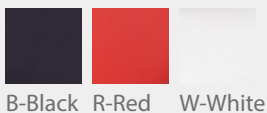
## POD 4 LEGS



### FEATURES

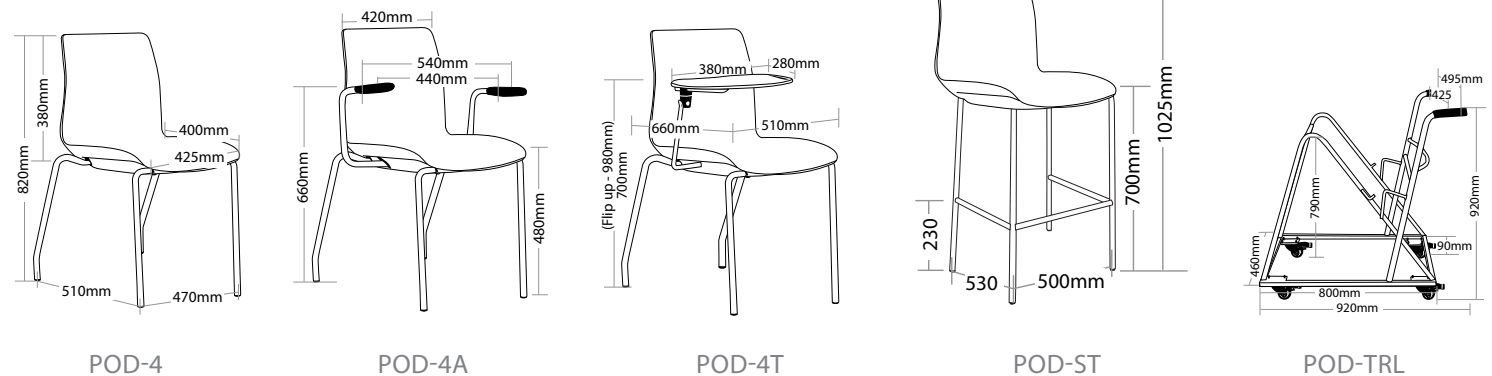
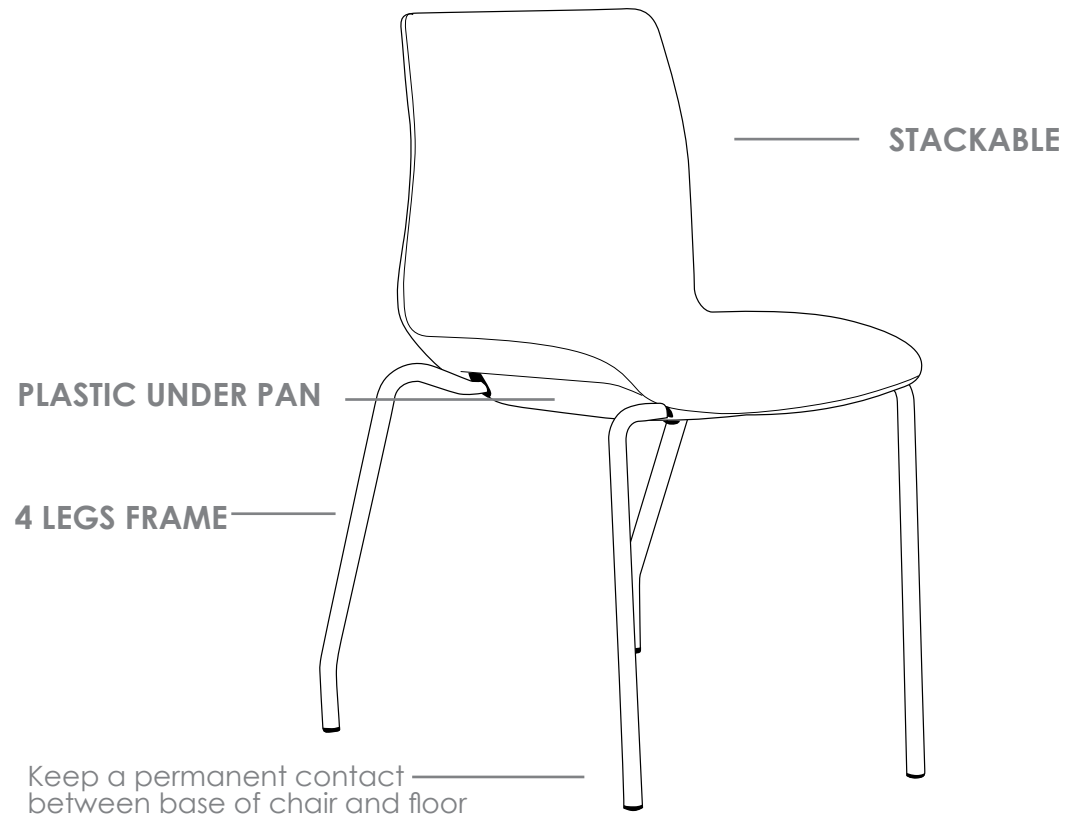
- » Optional arms
- » Optional tablet arm
- » Optional stool
- » Optional black metal trolley, easy to move when stacked
- » Optional 4 legs or sled base chrome frame
- » Available in beam seating
- » Stackable
  - » Maximum 13 chairs on trolley
  - » Maximum 5 chairs on floor
  - » Maximum 3 chairs with stool or arms
  - » Maximum 3 chairs with tablet arms
- » Plastic under pan
- » Available in black, red and white only
- » Suitable for indoor use only
- » 4 year warranty
- » Weight limit is 120kg

### COLOUR



INDOOR USE ONLY

✗ Do not use as a step ladder



# POD 4 LEGS HOSPITALITY SEATING



POD-4B



POD-4RA



POD-4WT



POD-STW



POD-STB



POD-TRL

# R5 HOSPITALITY SEATING

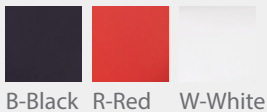
## POD SLED



### FEATURES

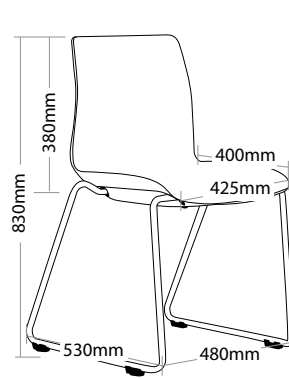
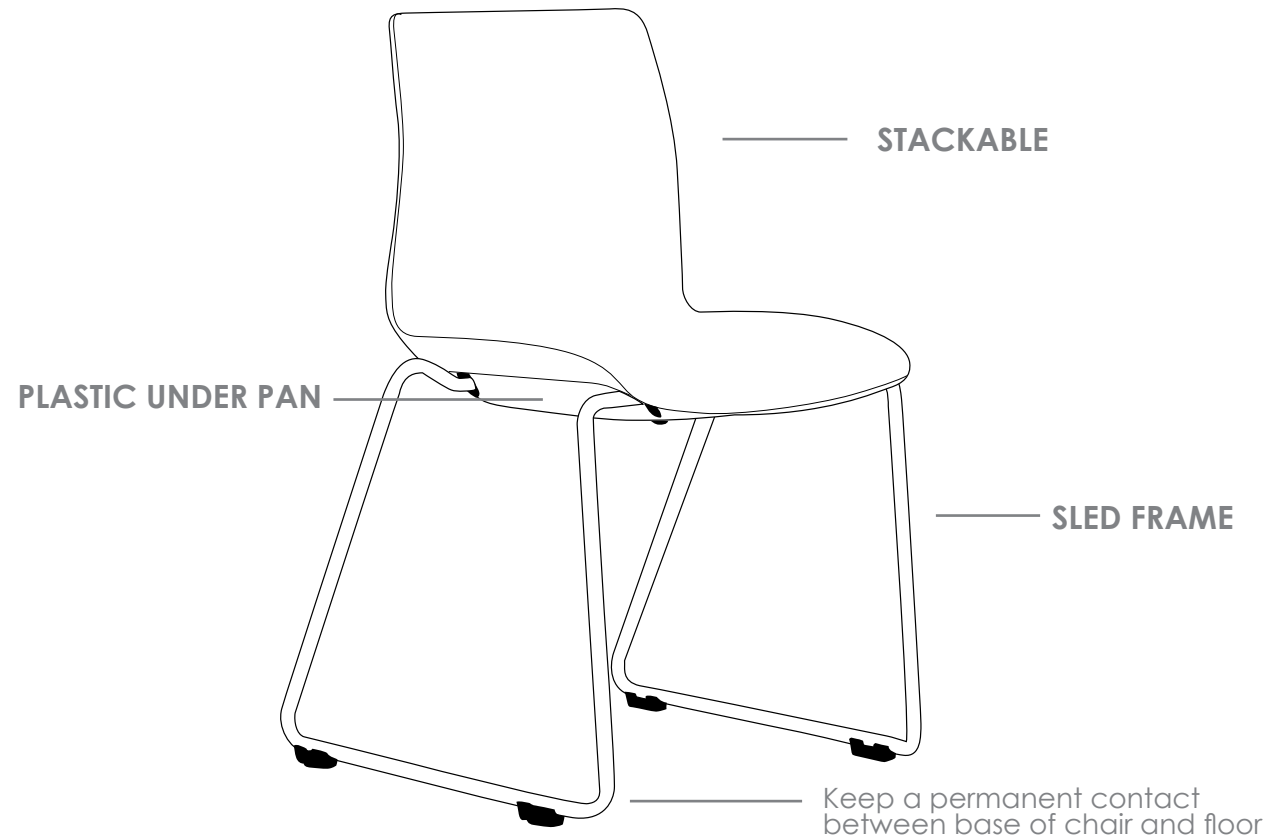
- » Optional arms
- » Optional tablet arm
- » Optional black metal trolley, easy to move when stacked
- » Optional 4 legs or sled base chrome frame
- » Available in beam seating
- » Stackable
  - » Maximum 13 chairs on trolley
  - » Maximum 5 chairs on floor
  - » Not stackable with arms or tablet arms
- » Plastic under pan
- » Available in black, red and white only
- » Suitable for indoor use only
- » 4 year warranty
- » Weight limit is 120kg

### COLOUR

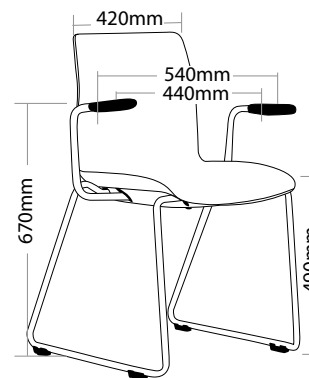


INDOOR USE ONLY

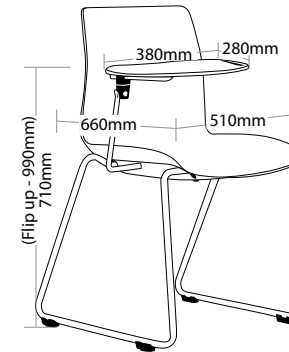
✗ Do not use as a step ladder



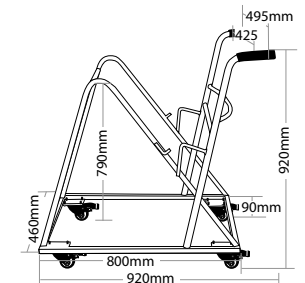
POD-S



POD-SA



POD-ST



POD-TRL

# POD SLED HOSPITALITY SEATING



POD-SB



POD-SRA



POD-SWT



POD-TRL