



# PHOENIX

## SPECIFICATIONS

### VIVID SLIMLINE PLUS

#### BASIN SET

PRODUCT CODE: 119-1000-00  
 FINISH: CHROME  
 WELS: 5 STAR - 5.0 LT/MIN

#### INFORMATION:

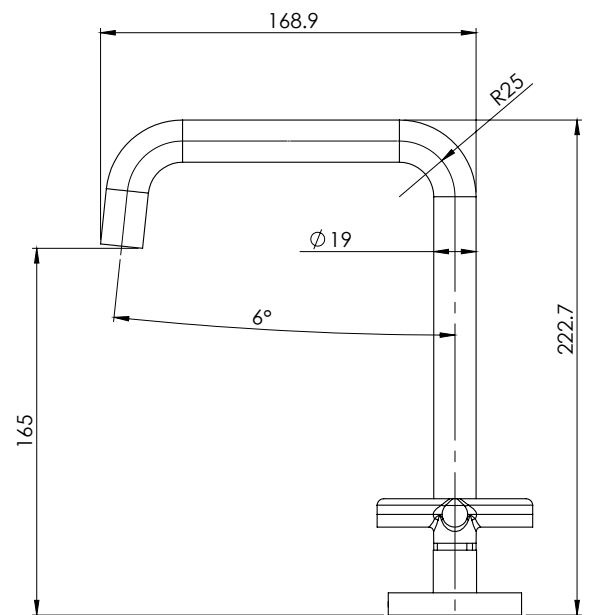
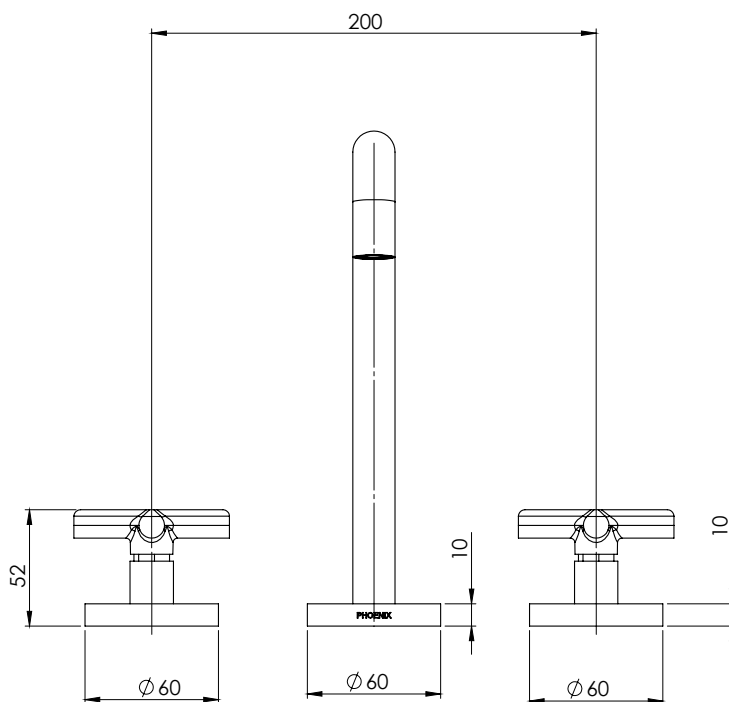
TEMPERATURE RATING: MIN 1° - MAX 75°  
 PRESSURE RATING: MIN 150 kPa - MAX 500 kPa



AVAILABLE IN:



FOR MORE INFORMATION VISIT  
[www.phoenixtapware.com.au](http://www.phoenixtapware.com.au)



PLEASE [CLICK HERE TO VIEW FULL WARRANTY](#)

While we aim to ensure the specifications shown are correct at time of printing, Phoenix Tapware reserves the right to make modifications without prior notice. Always use the physical product measurements for mark-ups and roughing-in as the line drawing shown may differ from the actual product over time. All measurements are shown in millimetres. Some colours may vary across product types due to differing construction materials. Printed images are a representation only and the colour or finish may vary from the actual product.  
 A Registered Design and Trademark of Phoenix Industries Pty. Ltd

[www.phoenixtapware.com.au](http://www.phoenixtapware.com.au)  
 03 9780 4200



# PHOENIX

SPECIFICATIONS

## VIVID SLIMLINE PLUS

### BASIN SET

PRODUCT CODE:

119-1000-00

FINISH:

CHROME

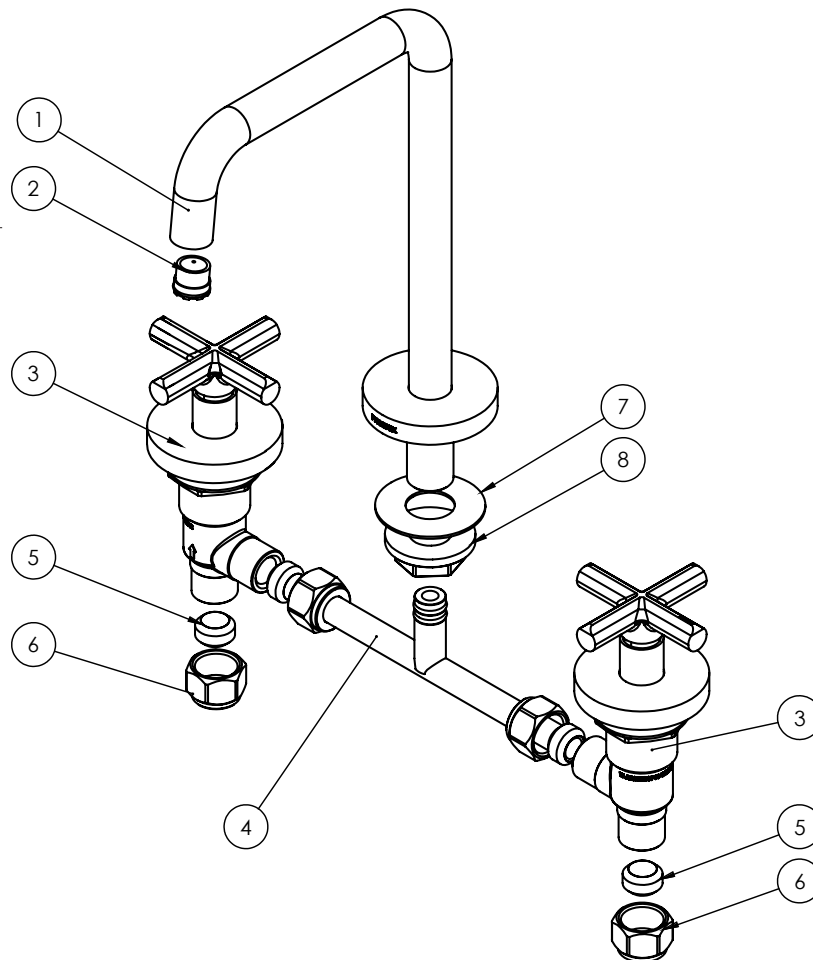
WELS:

5 STAR - 5.0 LT/MIN



#### PARTS LIST

1. BASIN SPOUT
2. AERATOR
3. COLD / HOT TAP
4. BASIN T-PIECE
5. CONNECTOR
6. T-PIECE LOCKNUT
7. NYLON WASHER
8. LOCKNUT PLASTIC



#### MAINTENANCE AND CARE:

- All surfaces should be cleaned with mild liquid detergent or soap and water.
- Do not use cream cleaners or citrus based cleaning products, as they are abrasive.
- Use of unsuitable cleaning agents may damage the surface. Any damage caused in this way will not be covered by warranty.

#### PACKAGING INCLUDES

- 1 x Basin set
- 1 x Installation kit
- 1 x Installation instructions
- 1 x Warranty card

PLEASE [CLICK HERE TO VIEW FULL WARRANTY](#)

While we aim to ensure the specifications shown are correct at time of printing, Phoenix Tapware reserves the right to make modifications without prior notice. Always use the physical product measurements for mark-ups and roughing-in as the line drawing shown may differ from the actual product over time. All measurements are shown in millimetres. Some colours may vary across product types due to differing construction materials. Printed images are a representation only and the colour or finish may vary from the actual product.

A Registered Design and Trademark of Phoenix Industries Pty. Ltd

VI50219

[www.phoenixtapware.com.au](http://www.phoenixtapware.com.au)

03 9780 4200