

AFTERCARE

Whilst modern plating techniques are used in the manufacture of this product, the surface will be affected if cleaned incorrectly.

Surfaces should be maintained using a clean damp cloth, no abrasive agents or materials should be used or come into contact with the surface finish, or this will invalidate your guarantee

INSTALLATION INSTRUCTION



YSW402 Electronic Basin Tap



WaterMark



www.nerotapware.com.au

Nero

ABOUT NERO

Nero Tapware is one of Australia's leading brands that designs and manufactures high quality mixer taps, tapware, showers, bath fillers and accessories for the contemporary and stylish bathroom, kitchen and laundry space.

NERO TAPWARE has a vast range of stylish tapware and bathroom fittings to suit all bathroom. All NERO tapware is certified to Australian Standard AS 3718 and also comply with the Australian Government's WELS scheme. We are dedicated in bringing you well designed and high quality manufactured products with our own in-house specialist design team and international manufacturing facilities. We aim to provide value to our broad cross section of customers as well as deliver different design style options to ensure all customer preferences are met.

Enjoy the real art life with Nero Tapware.

www.nerotapware.com.au

Important Note

We do not recommend dismantling the internal parts of the mixer. All mixers have been individually factory tested and assembled to give the best performance.

Note

Failure to comply with the following will void all warranty

1. The faulty mixer must be returned together with original receipt or proof of purchase to where the purchase was made within the warranty period for replacement.

2. All mixers must be installed with isolating stop valves.

3. The mixer must be installed by a licensed plumber. All new connections must be flushed prior to the connecting of the flexible hoses to the isolating stop valves.

4. The warranty will not cover for the defects caused by improper installation, surface damage caused by improper installation, surface damage caused by improper installation or any other reason than genuine quality defects of the products.

5. All Mixer Working pressure between 150 - 700 kPa, Maximum hot water temperature 75 °C. Recommended minimum working pressure 150 kPa, Recommended maximum working pressure 700 kPa.

6. If the water pressure exceeds or is likely to exceed 700 KPa, an approved pressure limiting valve must be fitted. If the water temperature exceeds 75 °C, an approved tempering valve must fitted.

7. Installation should comply with Australian standard AS3500.1 or relevant local authority requirements.

Imported by: NERO Bathrooms International Pty Ltd
Products manufactured in China-yinshengwang sanitaryware.

TROUBLESHOOTING GUIDE

Description	Cause	Solution
no water out	the battery is exhausted(DC item)	change the battery
	water supply cut off	check supply
	dirt in the filter	clean the filter
	water pressure is too low	raise the pressure
water will not turn off	dirt on the sensor window	clear the dirt
too little water flow	water supply is turned too small	adjust water supply
	the filter is too dirty	clean the filter
	water pressure is too low	raise the pressure
too much water flow	water supply is turned too high	adjust supply
	water pressure is too high	adjust pressure
short cycles of battery	incorrect batteries	change to 4AA alkaline battery
the indicator light is not on	the light is broken	change the light or circuitry board
	the circuitry board is wet or signal line is wet	dry out
	the battery is exhausted	change the battery
	poor connection of battery	check the battery connection

CONTENTS

FEATURE & FUNCTION

TECHNICAL SPECIFICATION

PARTS NAME

INSTALLATION MAP

INSTALLATION STEPS

USING METHOD

TRUBLESHOOTING GUIDE

MAINTANCE

FEATURE & FUNCTION

Thank you for choosing our electronic basin tap.

- **WATER SAVING**

When your hands enter the sensing range, the indicator light in the sensor window will shine, then water flows out and stops immediately once you draw them back.

- **HYGIENIC**

Automatic on/off to free hands from any touching, avoiding bacteria infection, which is more convenient and hygienic.

- **INTELLIGENT**

Adopts the micro-computer controlling, the faucet can self-adjust the best detection zone and has the function of anti-light and anti-ultraviolet rays.

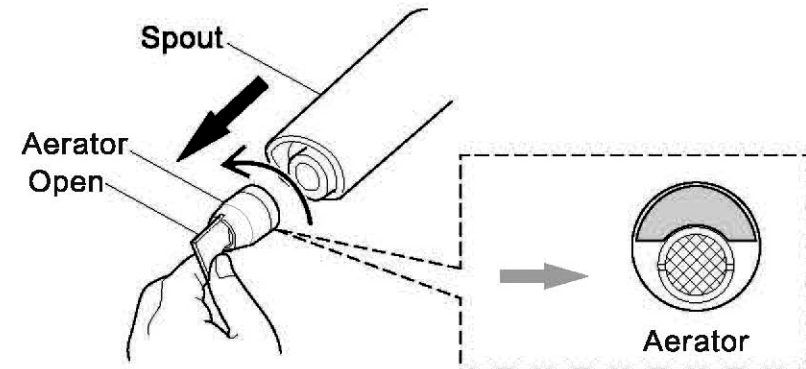
- **AUTOMATIC PROTECTION**

Automatically stops after 70 seconds to avoid water wasting. If more water required, draw back your hands for 4 seconds, the water will flow out again.

MAINTANCE

Clean aerator

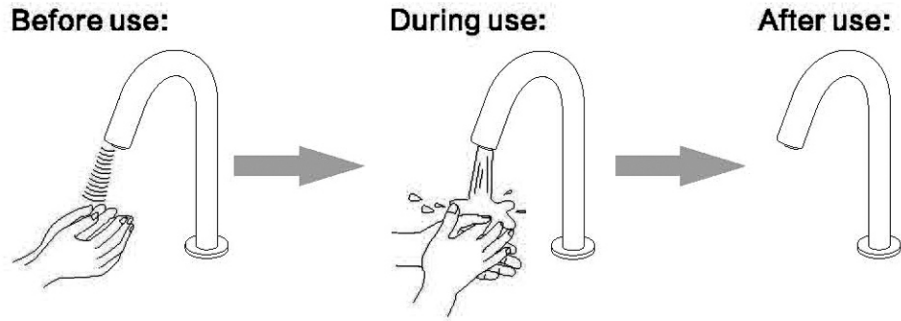
■ Please ensure the filter is cleaned if the water flow is reduced.



Clean aerator:

(1) Turn off isolating valve. (2) Open and take out filter. (3) Wash filter out and replace.

USING METHOD

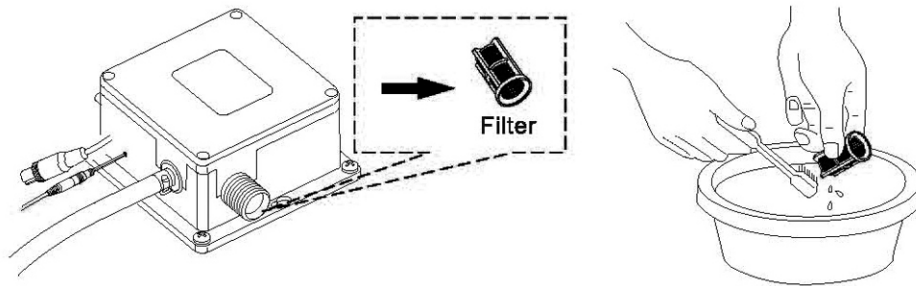


Note:when your hand enters the inductive field the water flows,remove your hand from the field and the water stops.It will stop automatically after flushing 30 seconds continuously,leave your hand from the inductive field for 3 seconds then enter the field to flush again.

MAINTANCE

Clean filter

■Please ensure the filter is cleaned every 6 months or if the water flow is reduced.

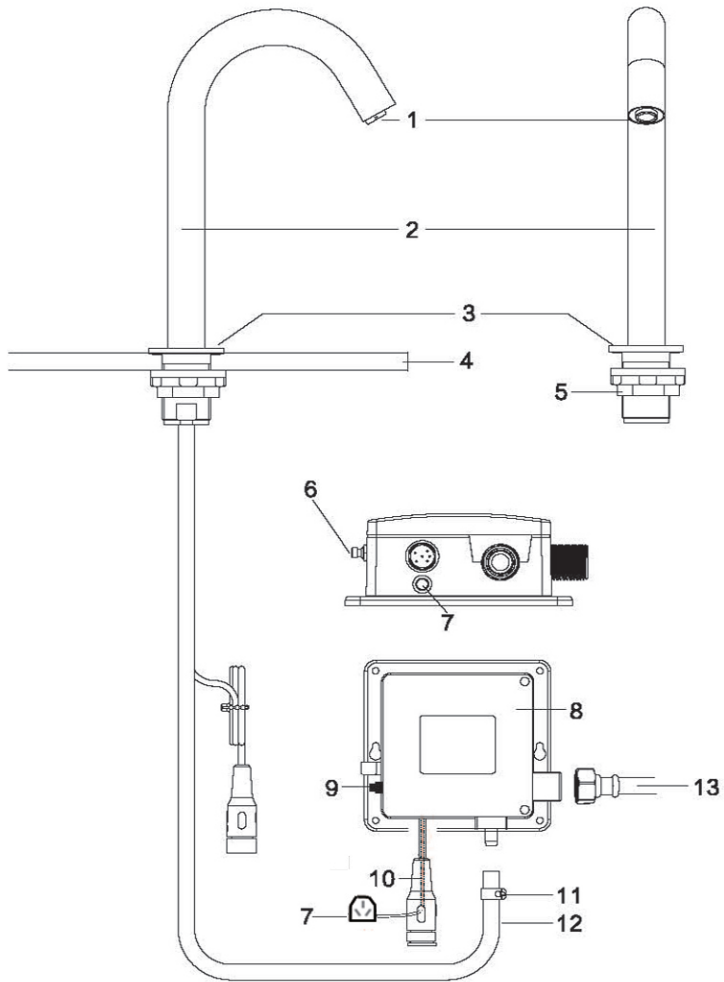


Clean filter:
 (1)Turn off isolating valve.(2)Unscrew flex hose.(3)Take out filter.(4)Wash filter out and replace.

TECHNICAL SPECIFICATION

Product Code	YSW402
Description	Electronic Basin Tap
Power	DC: 6V (4AA alkaline battery)
Power Consumption	DC:Standby:≤0.2mW
Sensing Distance	10-15CM
Water Pressure	150kpa-500kpa
Water temperature	1°C-55°C
Dia.of inlet pipe	G1/2"
Flow rate	6.0L/MIN

PARTS NAME

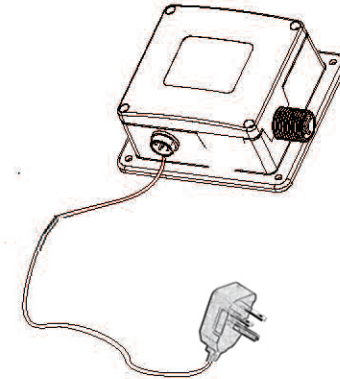


- | | |
|---------------------|---------------------|
| 1.aerator | 8.control box |
| 2.tap body | 9.adjustment button |
| 3.cover | 10.cable socket |
| 4.basin | 11.buckle |
| 5.nut | 12.inlet |
| 6.adjustment button | 13.outlet |
| 7.power plug | |

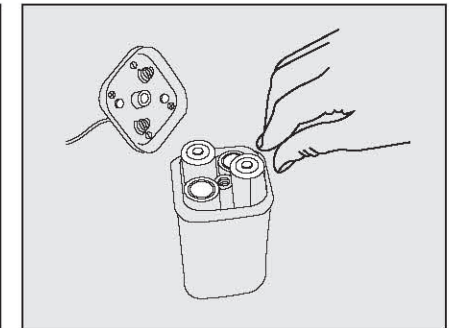
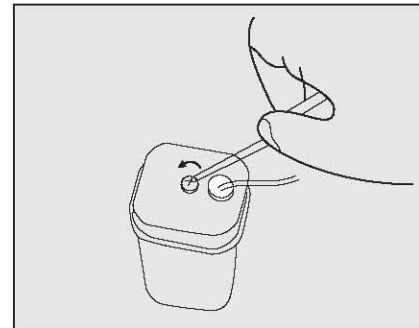
INSTALLATION STEP

Power connect

- AC: Connect the transformer



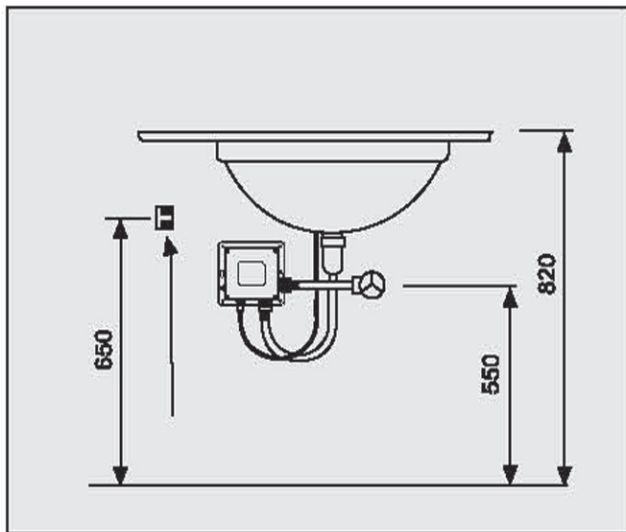
- DC: Put in 4AA alkaline battery into the battery box.



INSTALLATION STEP

Note:

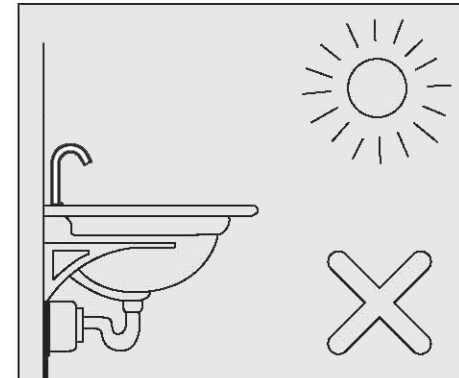
1. Please close the water supply and power supply before install.
 2. Be sure to install control box correct, don't put upside down.
 3. For easy to maintain, should be choose the suitable place install control box. Meanwhile, It must less than 50cm distant from the basin.
- (Please check the following picture)



The installation drawing of control box

INSTALLATION NOTICE

Location selection



The installation place which you choose and design should be sunless or lightless.

Washbasin selection

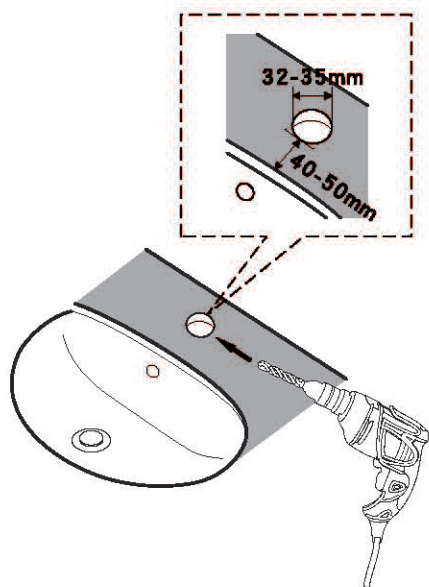
Choose single hole basin, and the hole diameter is \varnothing 32-35 mm

Flush pipe

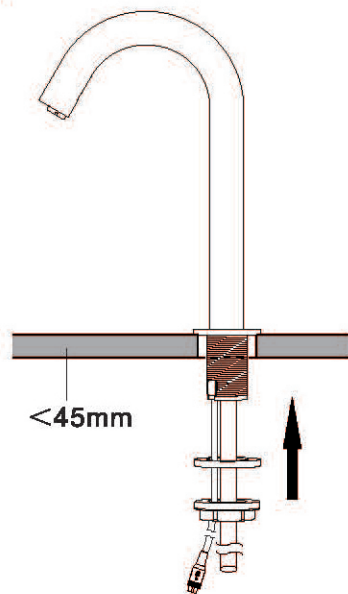
Always flush pipe work before installation, to avoid sand entering solenoid and abnormal operation.

INSTALLATION STEP

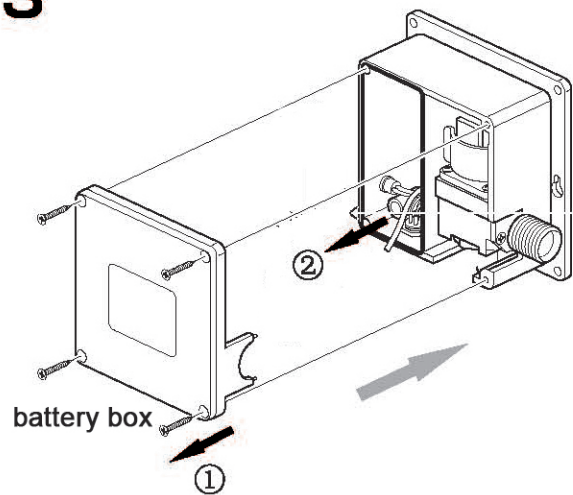
1



2

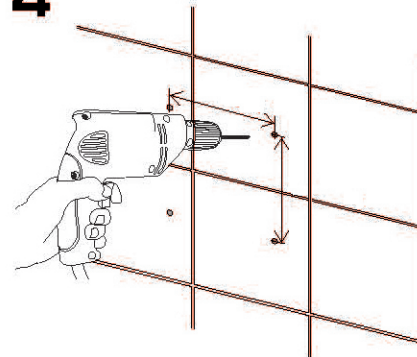


3

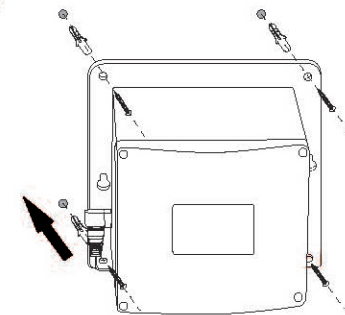


INSTALLATION STEP

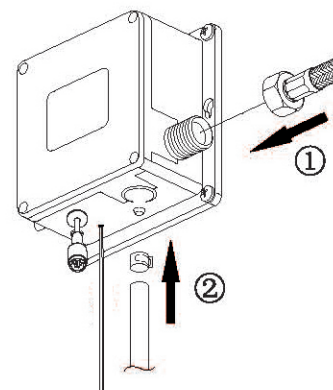
4



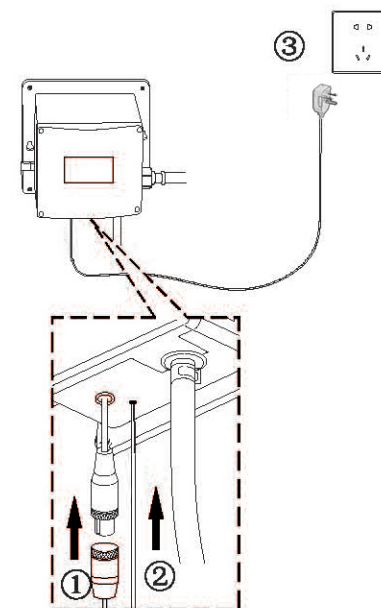
5



6



7



8

