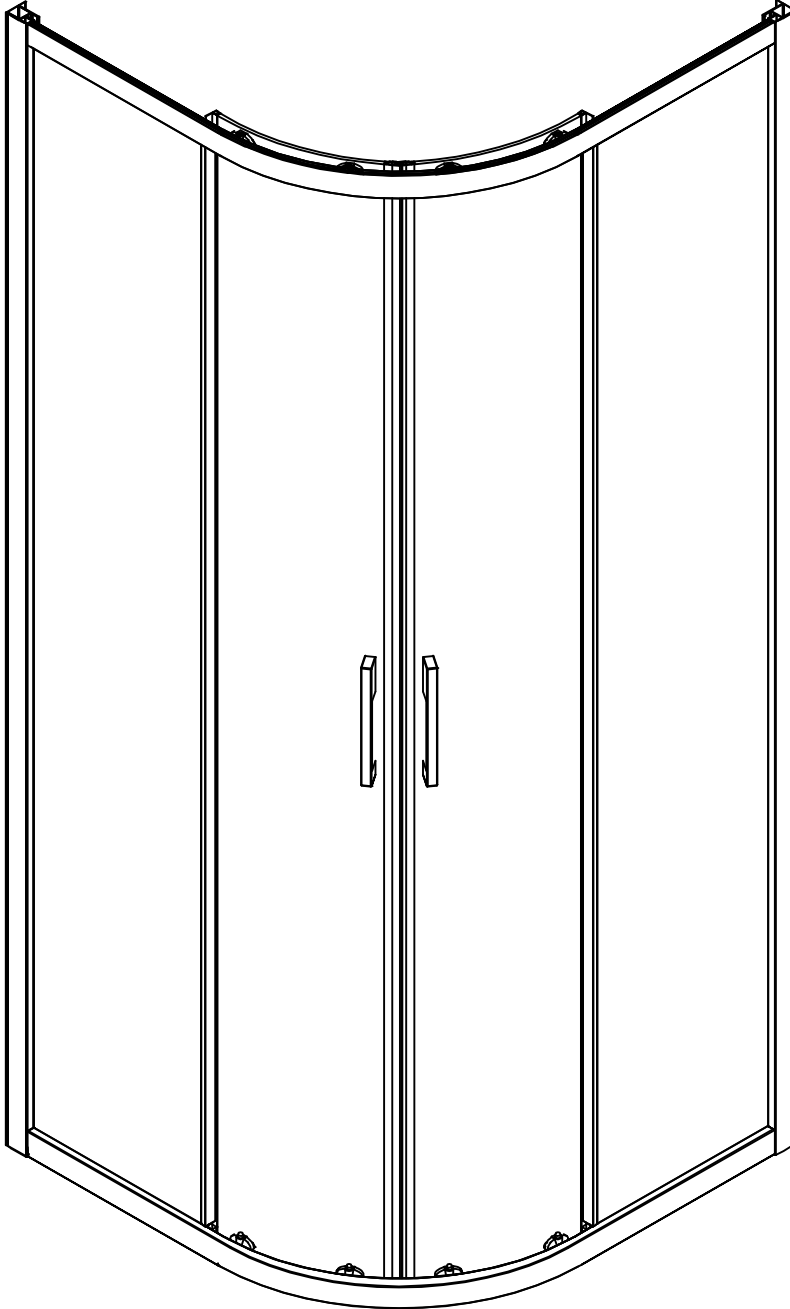
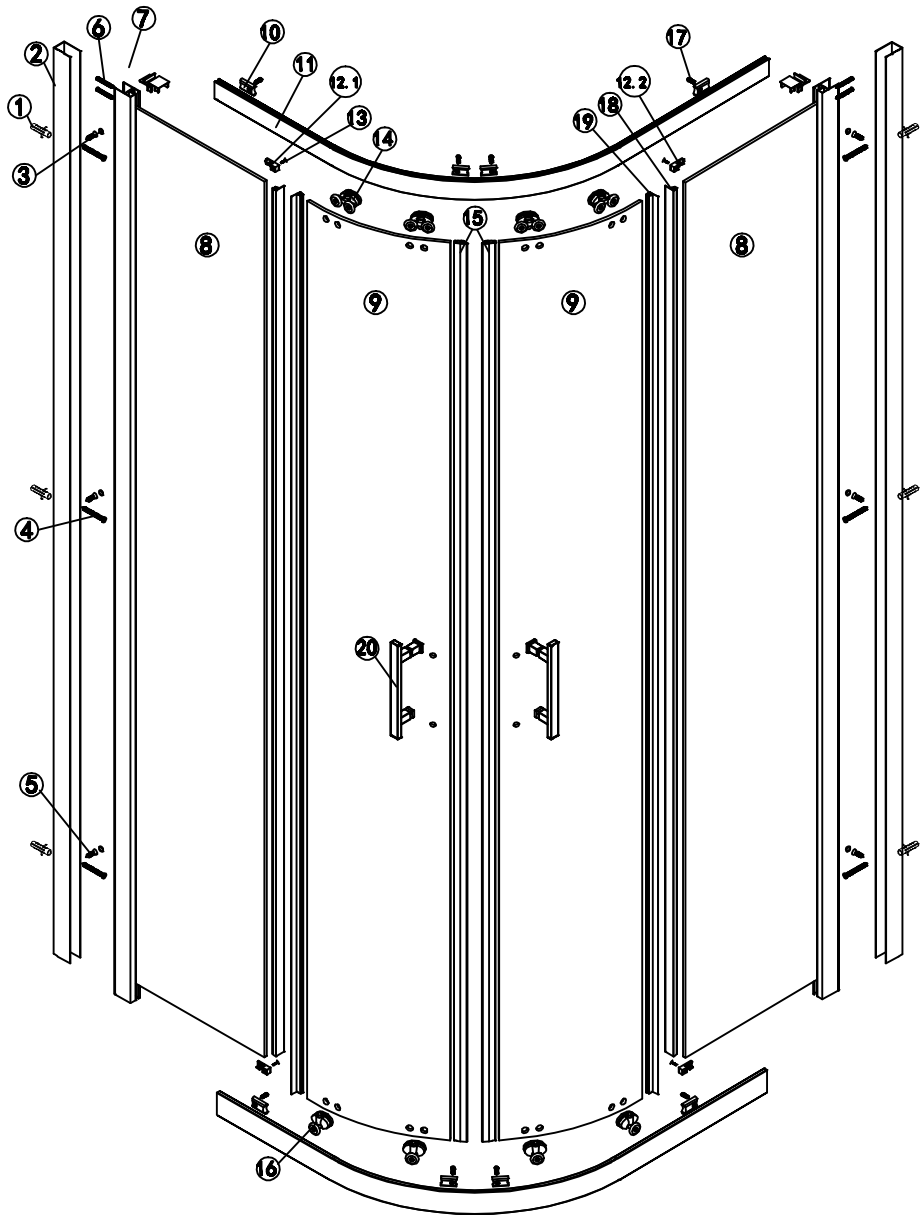


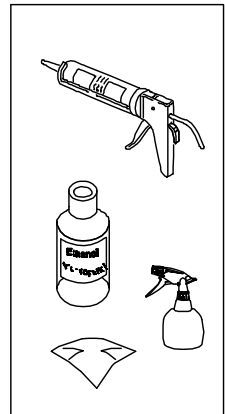
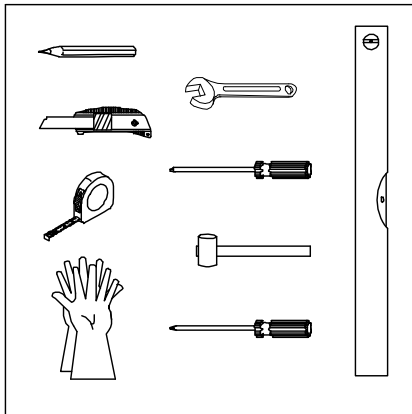
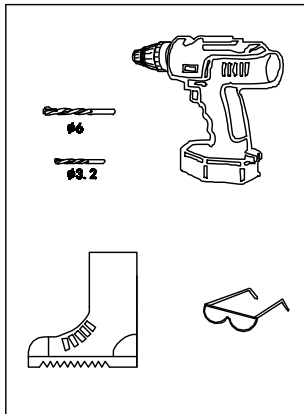
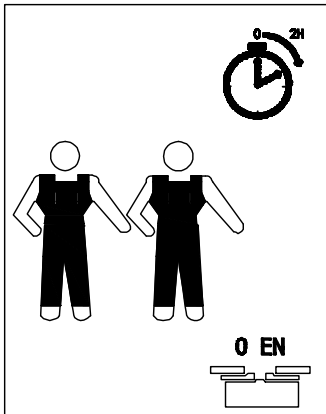


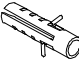


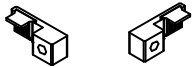










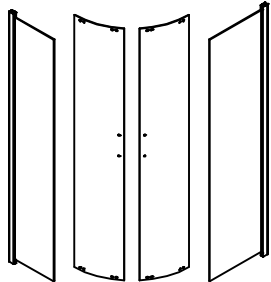



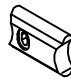
new louve curved

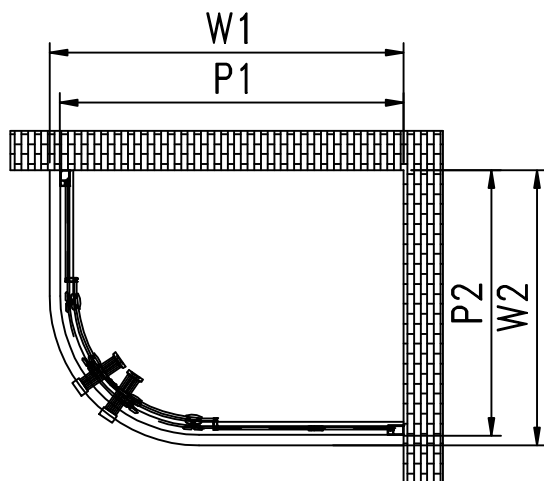




Installation ready:

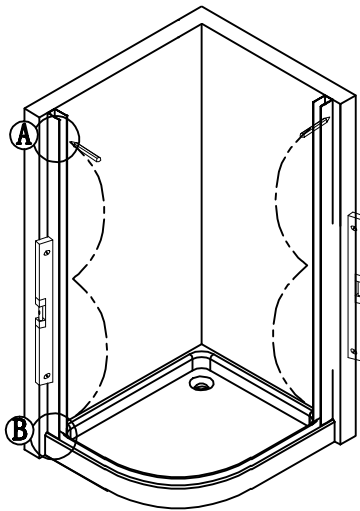


N0.	Designation	Pieces	N0.	Designation	Pieces
1	 $\phi 6$	x6	11		x2
2		x2	12.1 12.2		x2 x2
3		x6	13	 \oplus ST4*10	x4
4	 \oplus ST4*35	x6	14		x4
5	 \oplus ST4*10	x6	15		x2
6	 \oplus ST4*35	x8	16		x4
7		x2	17	 \oplus ST4*12	x8
8		x2	18	 Short	x2
			19	 Long	x2
9		x2	20		x2
10		x8			

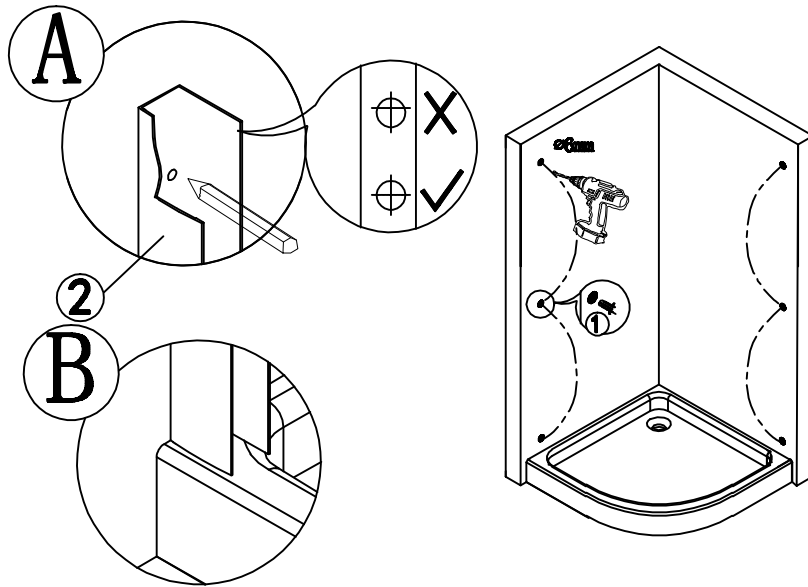


	P	W
900x900	850-875	900
1000x1000	950-975	1000

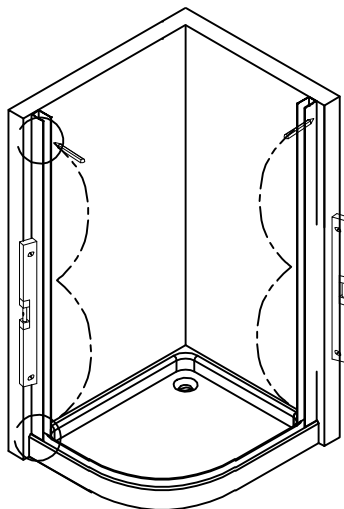
Step 1



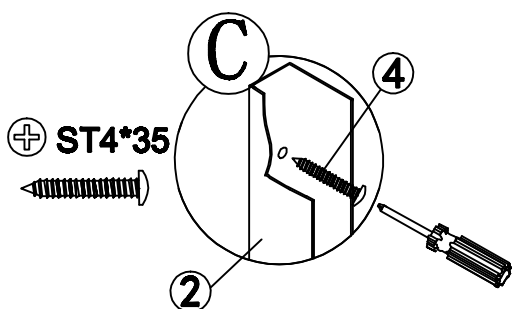
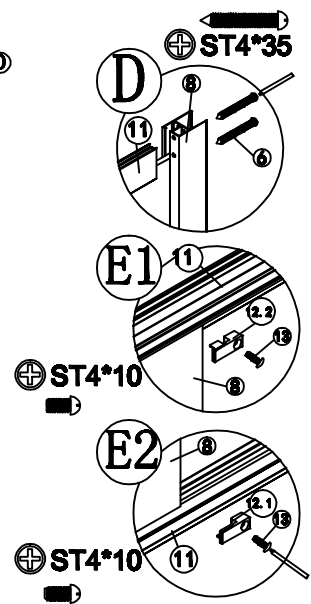
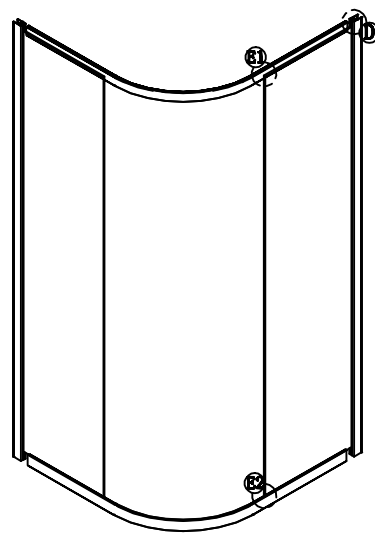
Step 2



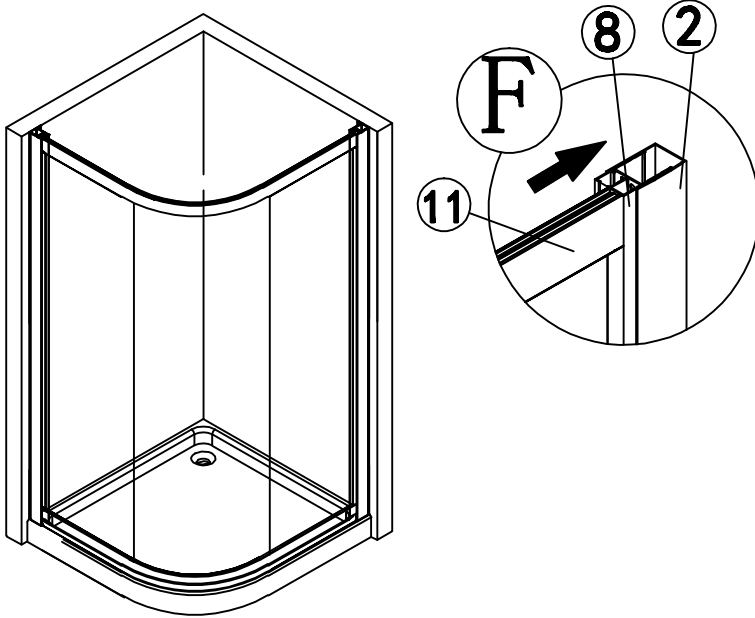
Step 3



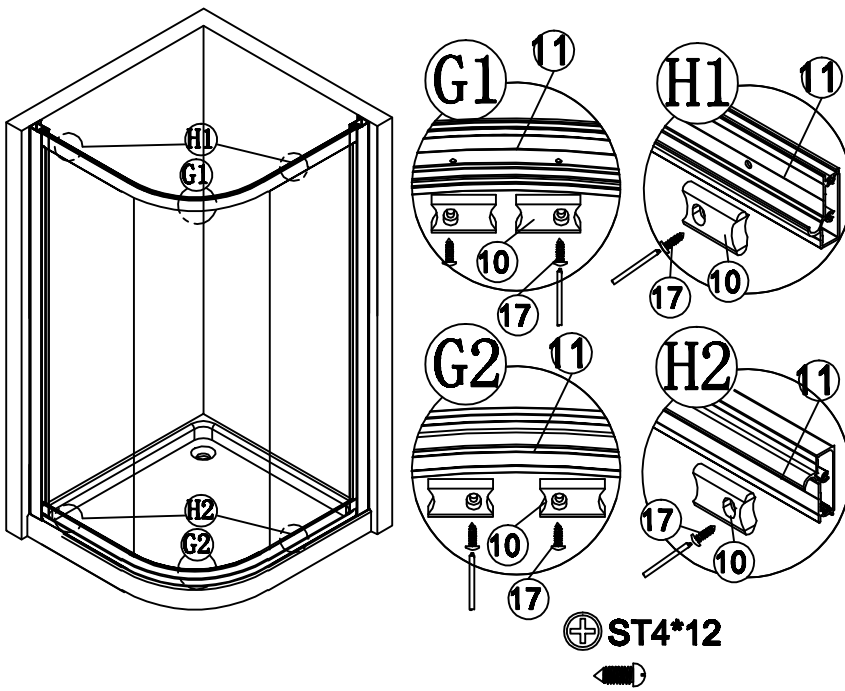
Step 4



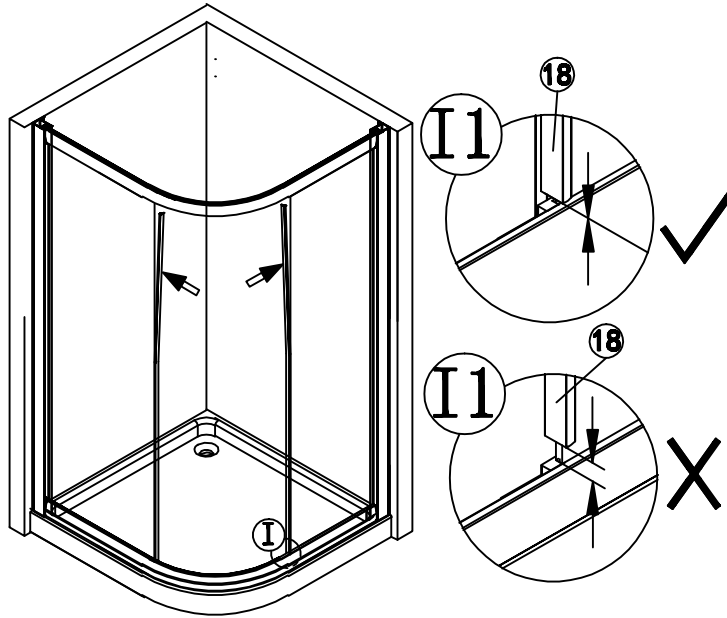
Step 5



Step 6

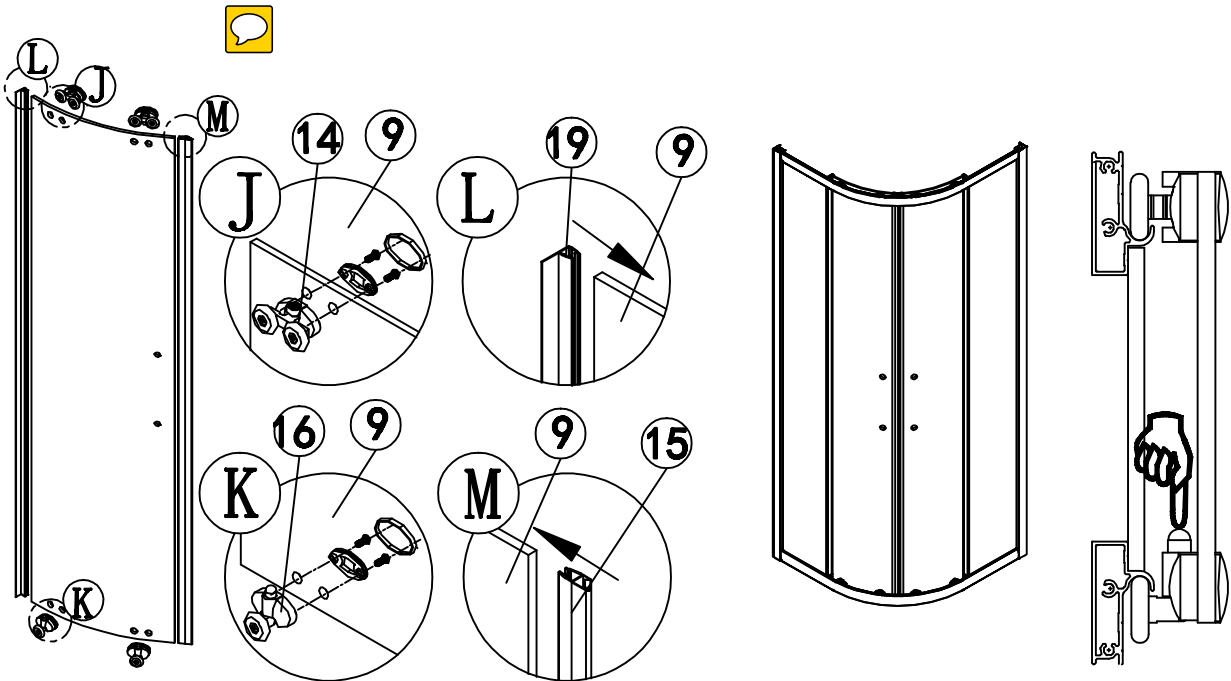


Step 7

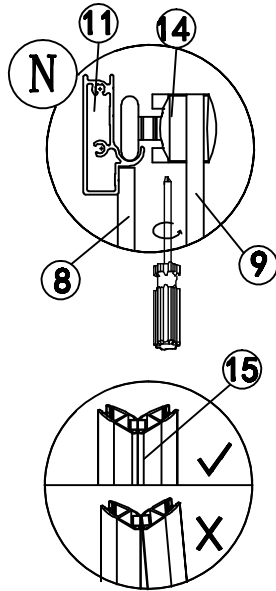
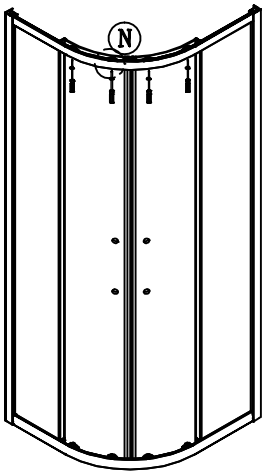


Step 8

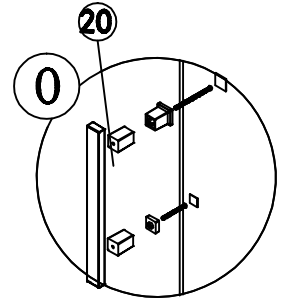
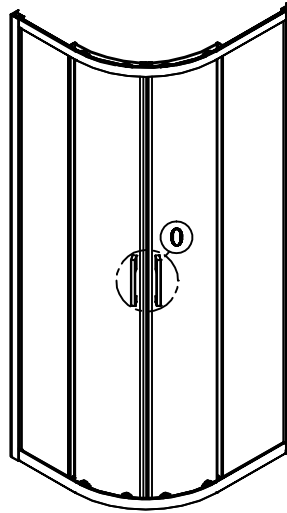
Step 9



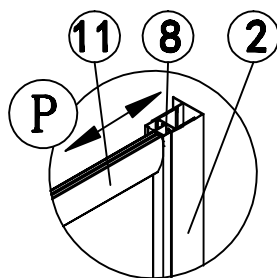
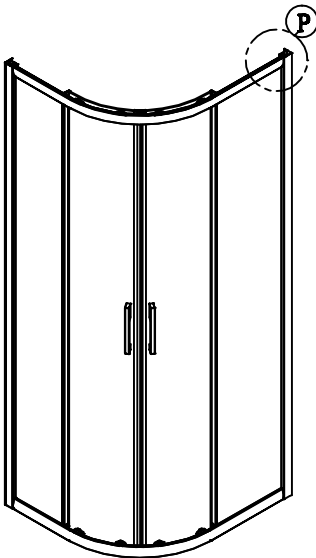
Step 10



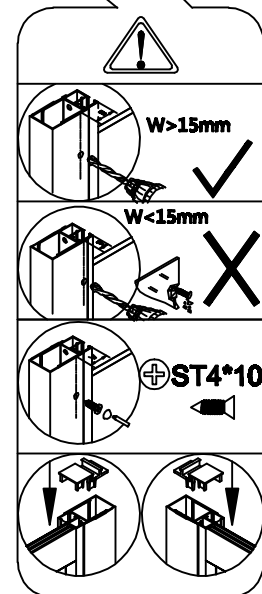
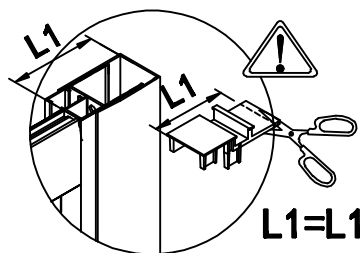
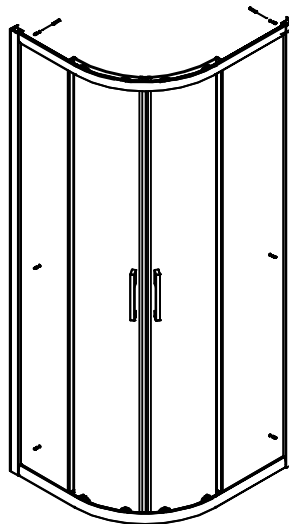
Step 11



Step 12



Step 13



Step 14

